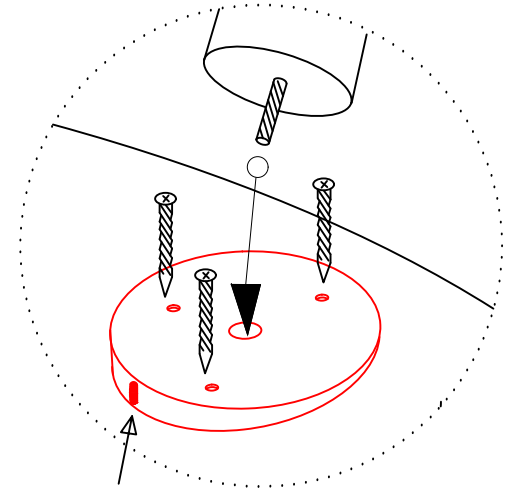
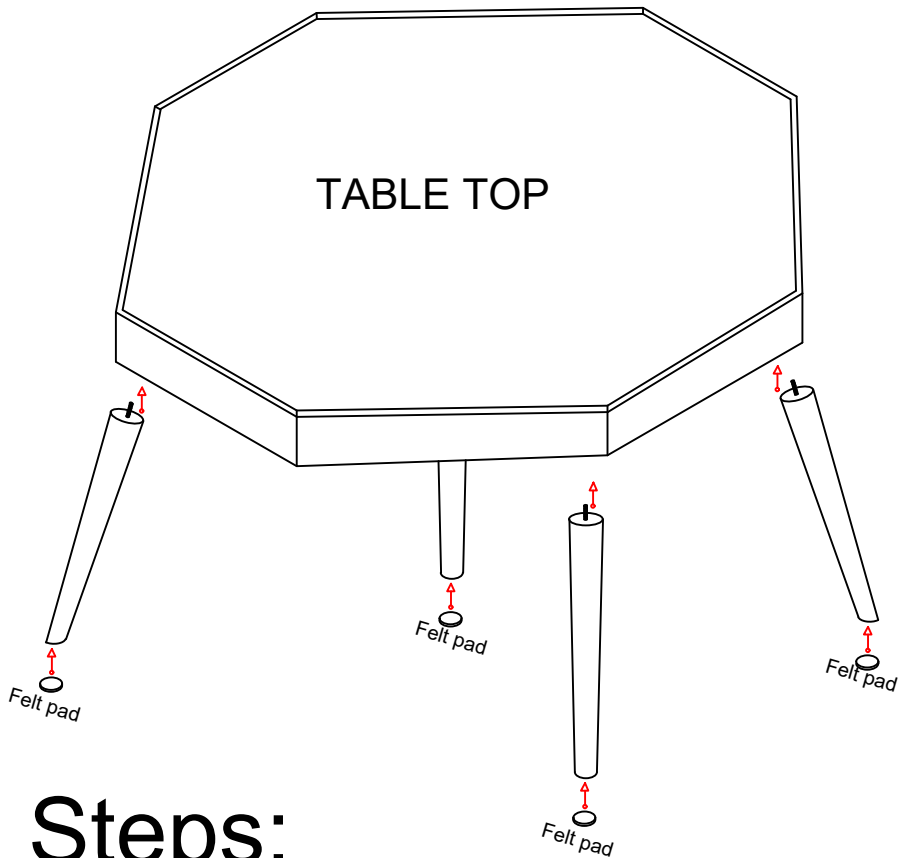


4+1 SET - Wooden Legs - Assembly Instructions

There are:

4 small size table tray & 1 big size table tray

12 short height Wooden legs & 4 Long height Wooden legs.



(b) mark point to the center

Note: Do not tighten the screws completely.

Steps:

- Position the Table on flat surface.
- Make sure that the mark on the plastic mounting plates is pointing to the table center. (b) to achieve correct slop angle for the leg after the installation.
- Fix the plastic mounting plates on the table bottom to the pre-drill holes.
- Repeat the previous steps with all table trays.
- install the felt pads on the bottoms of legs to prevent slipping and scratches on the floor.

